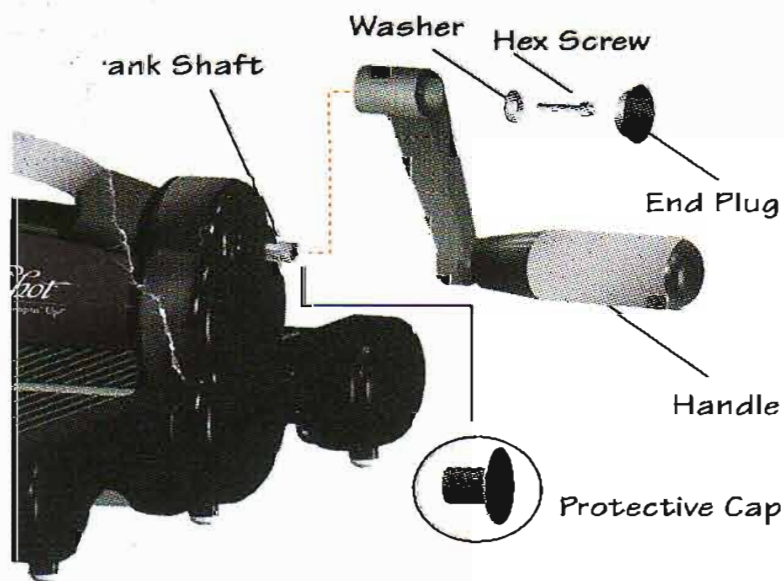


Sizzix® Big Shot™

FOR
Stampin' Up!®

The Sizzix® Big Shot™ Machine is exactly what crafters have been looking for – a versatile, easy to use and affordable multipurpose creative system. It is designed to cut and emboss for creating unlimited fun projects. Using the Sizzix Originals™, Bigz™, Sizzlits®, Clearlits™ and Embosslits™ Dies, as well as Simple Impressions® Embossing Folders and Texturz™ Texture Plates, crafters can now express their creativity in minutes. Start unleashing the limitless possibilities of your Big Shot to create a combination of dazzling designs.

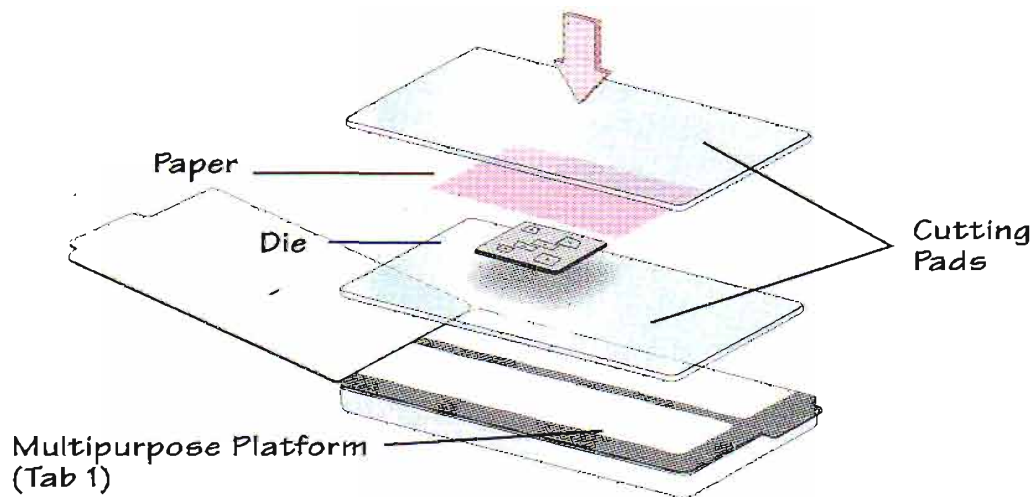
Assembly Instructions



Before attaching handle, remove protective cap on crank shaft and discard. Then attach handle by sliding washer over hex screw and inserting through handle and into crank shaft. Tighten hex screw with hex wrench provided with handle kit. Press end plug over hex screw until firmly sealed.

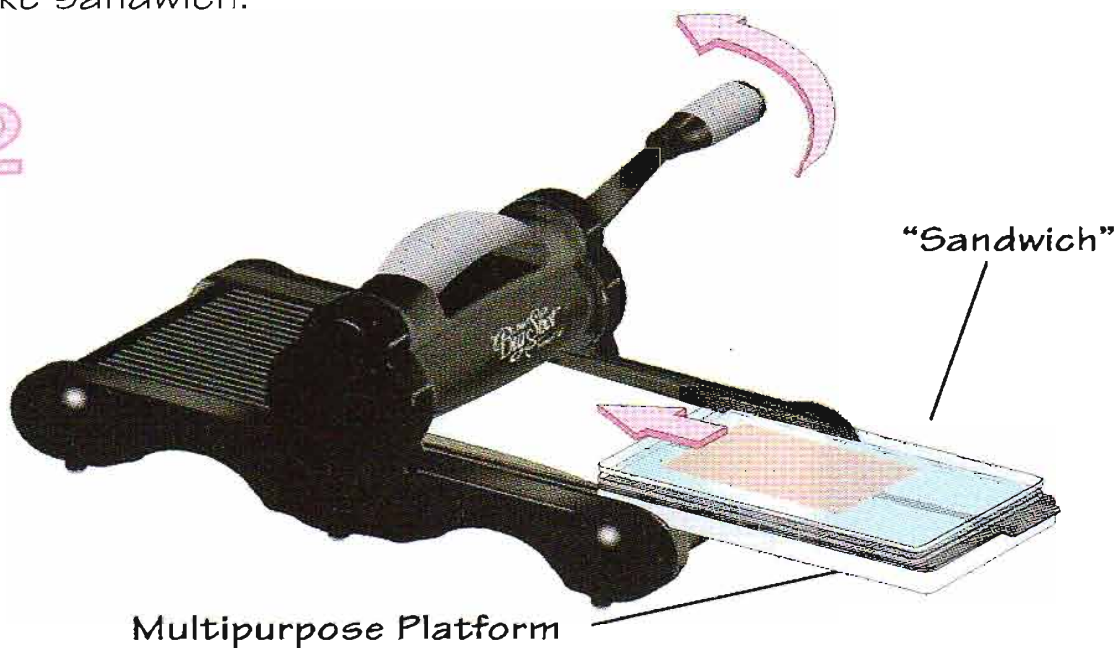
Using a Sizzlits or Clearlits Die

1



1. Place Sizzlits Die onto a Cutting Pad with foam side up. Place paper over the die. Place another Cutting Pad over the paper to create a "sandwich." For Clearlits Die, place die over photo or material so that the area to be cut shows through the die. Then place photo or material and die between Cutting Pads to make sandwich.

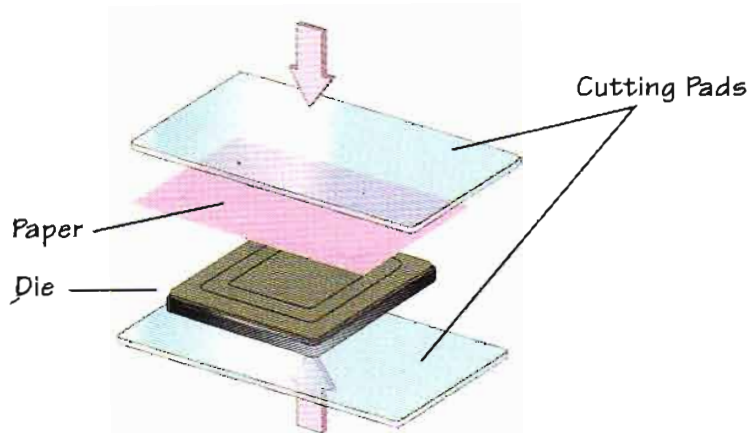
2



2. Place sandwich on Multipurpose Platform and slide Platform into opening of Big Shot. Note the rotation of the handle and continue to rotate it in the same direction until the Platform has passed through the opening and the rollers. Remove Platform from Big Shot. Your die-cut shape is ready to use!

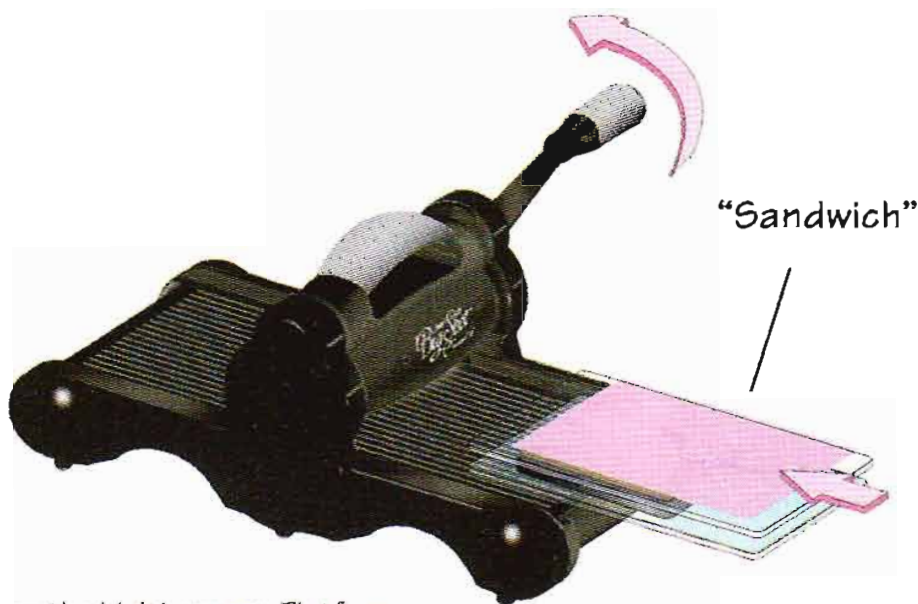
Using an Originals or Bigz Die

1



1. Place an Originals or Bigz Die on a Cutting Pad with foam side up. Place paper or desired material to be cut on top of the die. Place the second Cutting Pad on top of the paper or material to create a "sandwich."

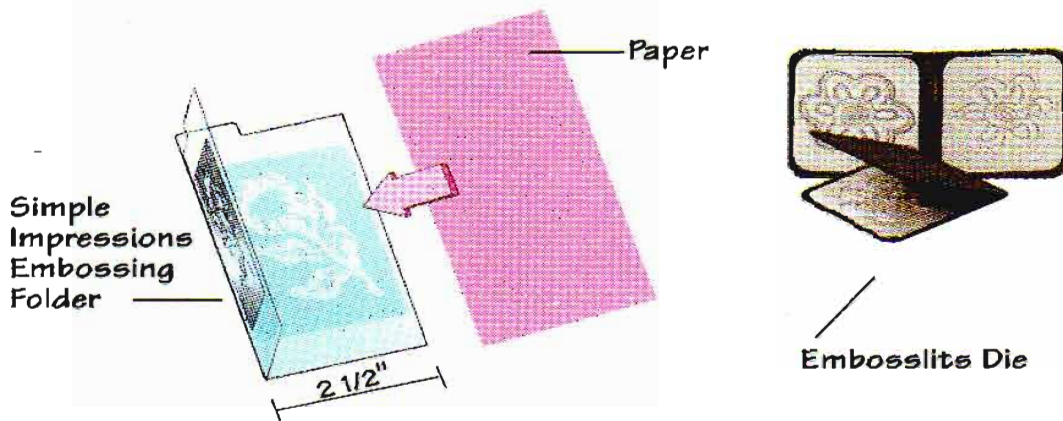
2



(Do not use the Multipurpose Platform when die-cutting with Originals and Bigz Dies.)

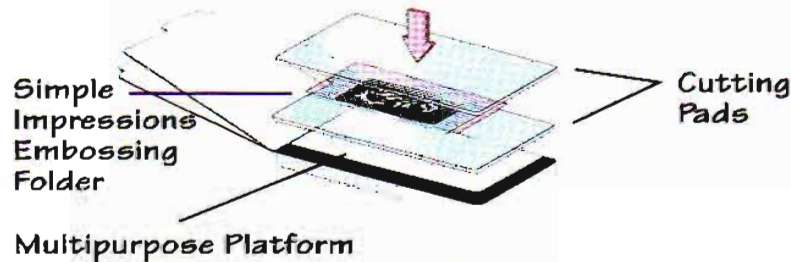
2. Slide the sandwich into the opening of the Big Shot. Note the rotation of the handle and continue to rotate it in the same direction until the sandwich has passed through the opening of the rollers. Remove the sandwich from Big Shot. Your die-cut shape is ready to use!

1 Using a Simple Impressions Embossing Folder or Embosslits Die



1. With Simple Impressions Embossing Folder or Embosslits Die open, insert paper, foil or other embossable material, then close like a book.

2



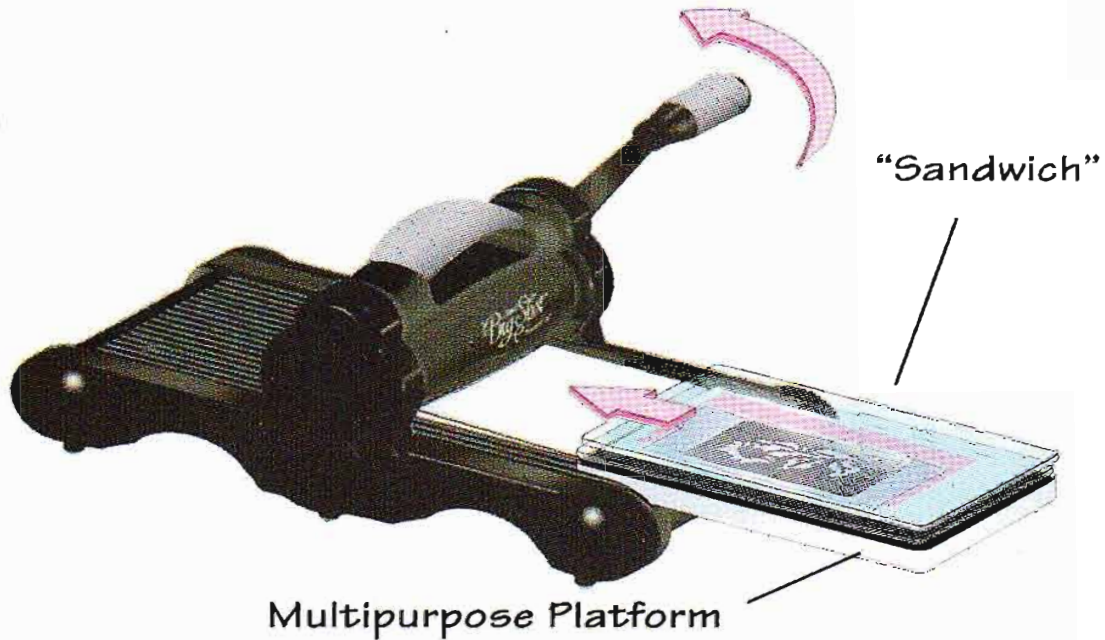
(Use no Multipurpose Platform Tabs with 2 1/2" Folders.)



(Use Multipurpose Platform Tab 1 with Embosslits Dies and Embossing Folders 4" and wider.)

2. Place Cutting Pad above and below the closed Folder to create a "sandwich."

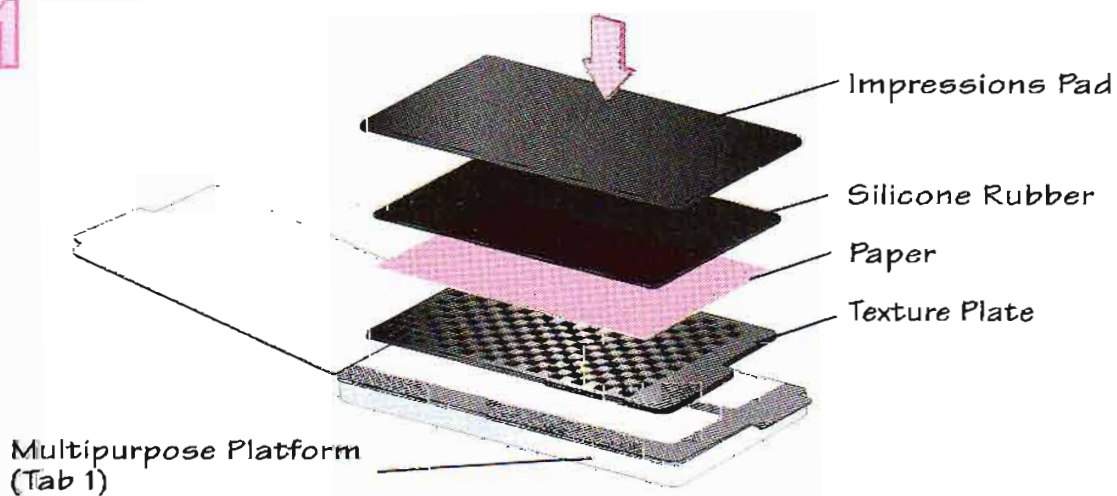
3



3. Place the sandwich on top of the Multipurpose Platform and slide both together into the opening of the Big Shot. Note the rotation of the handle and continue to rotate it in the same direction until the sandwich and Multipurpose Platform have passed through the opening and rollers. Remove the Platform from Big Shot, and your embossed design is ready to use!

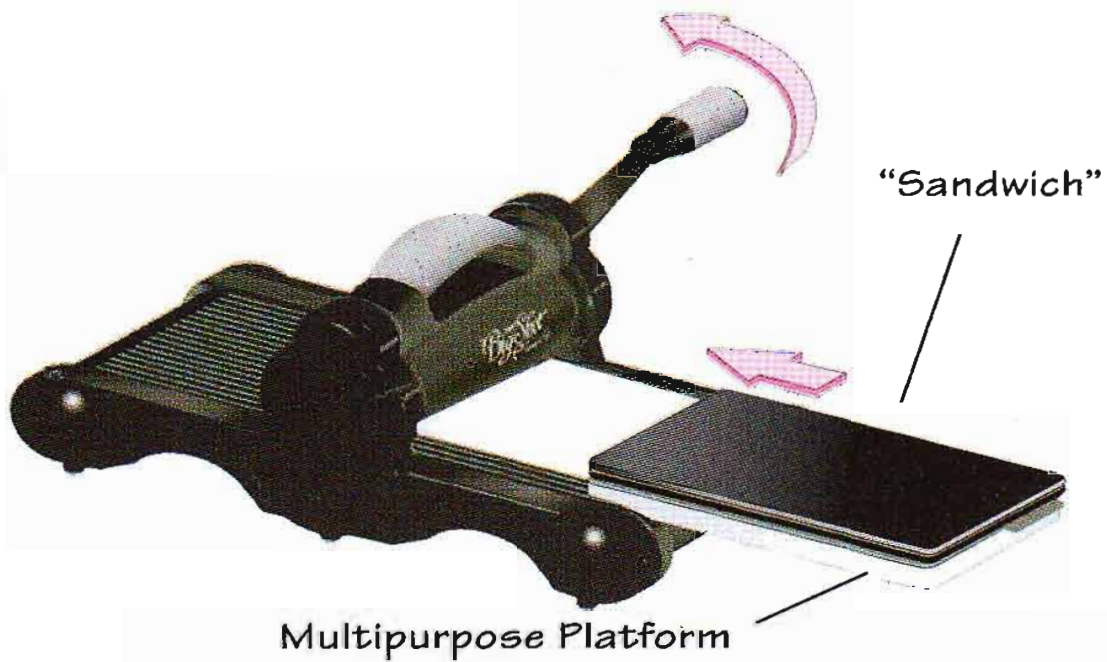
Using Texturz Texture Plates

1



1. Place a Texture Plate directly on Tab 1 of the Multipurpose Platform with the desired design facing up. Place paper or desired material on top of Texture Plate. Place Silicone Rubber on top of paper. Place Impressions Pad on top of Silicone Rubber to create a "sandwich."

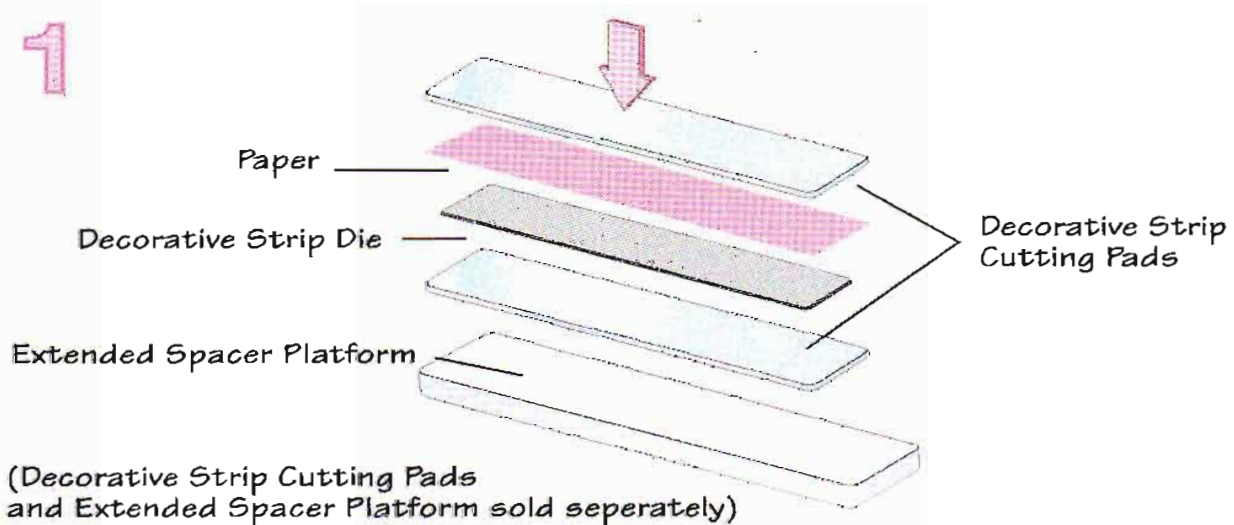
2



2. Place the sandwich on top of the Multipurpose Platform and slide both together into the opening of the Big Shot. Note the rotation of the handle and continue to rotate it in the same direction until the sandwich and Multipurpose Platform have passed through the opening and rollers. Remove the Platform from Big Shot, and your embossed design is ready to use!

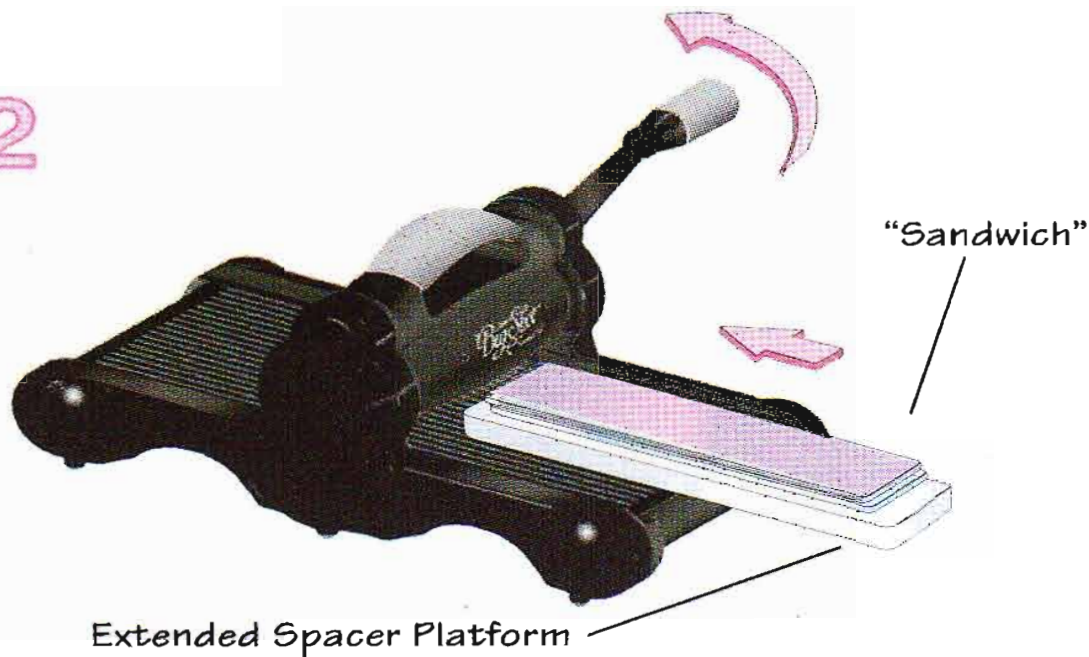
Using a Decorative Strip Die

1



1. Place Decorative Strip Die onto a Decorative Strip Cutting Pad with foam side up. Place paper over the die. Place another Decorative Strip Cutting Pad over the paper to create a "sandwich."

2



2. Place sandwich on Extended Spacer Platform and slide Platform into opening of Big Shot. Note the rotation of the handle and continue to rotate it in the same direction until the Platform has passed through the opening and the rollers. Remove Platform from Big Shot. Your die-cut shape is ready to use!

Three-YEAR Limited Warranty

Ellison Educational Equipment, Inc., doing business as Sizzix ("Sizzix"), will repair or replace, at its discretion, any Sizzix brand machine, die, embossing folder or texture plate ("Sizzix Products") three years from the original date of retail purchase by the original purchaser, if the subject product is determined to contain a manufacturing defect in the materials or workmanship ("Warranty Period"). This limited warranty is expressly limited to manufacturing defects and does NOT include any damage or defect caused in any manner after the retail purchase of the product. Sizzix Products are designed and built for consumer crafters and personal use. This warranty excludes excessive use as would be found in commercial, professional or group settings and/or applications. The warranty also excludes what is determined normal wear and tear on Sizzix Product components. All Sizzix Products (especially those with foam and rubber components) must be stored and kept in a cool, dry area, free from direct sunlight, incandescent lights, florescent lights or any harmful UV source, which can result in drying or cracking of components. Sizzix retains the right to replace the subject product with a "like" design or similar function if the subject product and/or design is no longer available. REPAIR OR REPLACEMENT AS PROVIDED UNDER THIS WARRANTY IS THE EXCLUSIVE REMEDY OF THE CONSUMER. SIZZIX SHALL NOT BE LIABLE FOR ANY SPECIAL, INCIDENTAL, INDIRECT, CONSEQUENTIAL OR RELIANCE

DAMAGES FOR BREACH OF ANY EXPRESS OR IMPLIED WARRANTY ON THIS PRODUCT. EXCEPT TO THE EXTENT PROHIBITED BY APPLICABLE LAW, ANY IMPLIED WARRANTY OF MERCHANTABILITY OR FITNESS FOR A PARTICULAR PURPOSE ON THIS PRODUCT IS LIMITED IN DURATION TO THE WARRANTY PERIOD. Some states do not allow the exclusion or limitation of incidental or consequential damages or allow limitations on how long an implied warranty lasts, so the above limitations or exclusions may not apply to you.

Notices

Patents Pending.

For customer support, please visit Sizzix.com

866-742-4447 toll-free in USA

949-598-5897 outside USA.

For European customer support, please visit www.sizzix.co.uk

0870 6000625 within UK

+44 (0) 1978 264500 outside UK.

Made in China

©2008 Ellison



IMPORTANT SAFETY INSTRUCTIONS

WARNING – When using this product, basic precautions should always be followed, including the following:

- a) Read all the instructions before using the appliance.
- b) To reduce the risk of injury, close supervision is necessary when this machine is used near children.
- c) Do not contact moving parts.
- d) Only use attachments recommended or sold by the manufacturer.
- e) Do not use outdoors.
- f) Always place and operate this machine on a clean, flat surface.
- g) **PINCH HAZARD. AVOID ROLLERS.**
- h) **DO NOT OVERLOAD THE MACHINE.**
- i) **CUTTING HAZARD. AVOID CONTACT WITH THE DIE BLADE.**
- j) **ADULT SUPERVISION OF CHILDREN RECOMMENDED.**

SAVE THESE INSTRUCTIONS